

# PRODUCT INFORMATION PACKET

**marathon**<sup>®</sup>  
Motors

Model No: 5KH49SN3049

Catalog No: H224

1/4-1/10 HP 2 speed Single Phase HVAC/R Motor, 1 phase, 1200/1200 RPM, 115 V, 56CZ Frame, ODP  
HVAC/R Single Phase Motors



Regal and Marathon are trademarks of Regal Beloit Corporation or one of its affiliated companies.  
©2020 Regal Beloit Corporation, All Rights Reserved. MC017097E

**REGAL**

### Nameplate Specifications

Output HP	1/4-1/10 Hp	Output KW	0.19 kW
Frequency	60 Hz	Voltage	115 V
Current	5.8,3.6 A	Speed	1140/850 rpm
Service Factor	1.35	Phase	1
Efficiency	52.5 %	Power Factor	0
Duty	Continuous	Insulation Class	B
KVA Code	M	Frame	56CZ
Enclosure	Drip Proof	Thermal Protection	N/R
Ambient Temperature	40 °C	Drive End Bearing Size	6203
Opp Drive End Bearing Size	6203	UL	Recognized
CSA	Yes	CE	N

### Technical Specifications

Electrical Type	Split Phase	Starting Method	SM
Poles	6	Rotation	Counterclockwise/Clockwise
Mounting	Round	Motor Orientation	ANY
Drive End Bearing	BALL	Opp Drive End Bearing	Ball
Frame Material	Rolled Steel	Overall Length	11.91 in
Frame Length	7.68 in	Shaft Diameter	0.630 in
Shaft Extension	2.25 in	Thru-bolts Extension	0 in
Connection Drawing	52A106478AA	Outline Drawing	52A107807P4

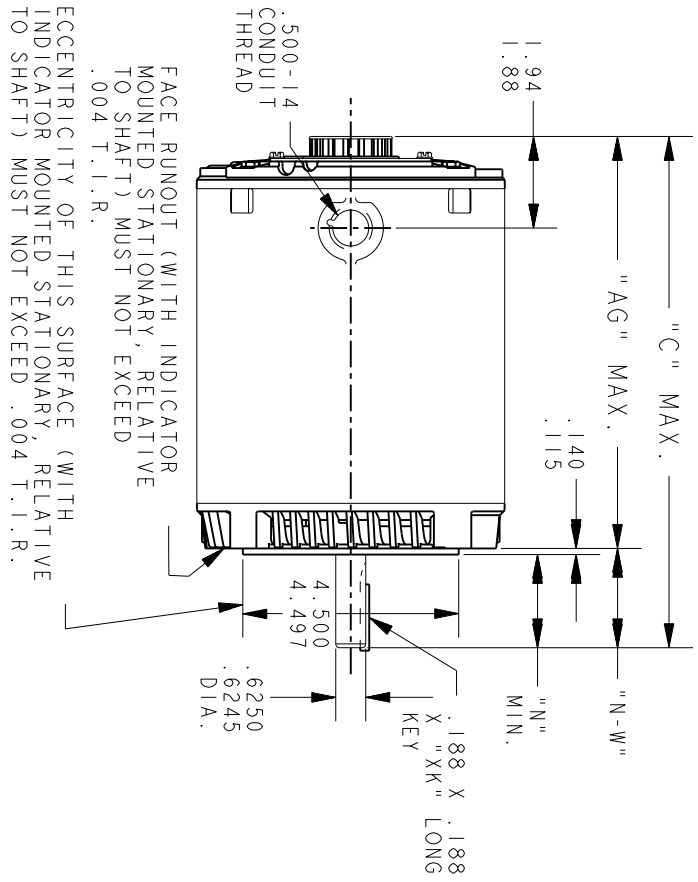
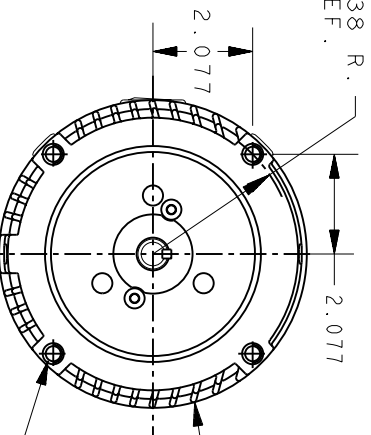
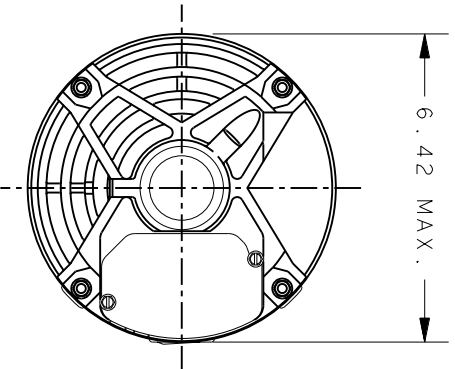
This is an uncontrolled document once printed or downloaded and is subject to change without notice. Date Created:03/11/2020

THIRD ANGLE PROJECTION



REVISIONS

REV.	DESCRIPTION	DATE	APPROVED
5	REDRAWN & ADDED P#8	06/14/94	M.A.M.
6	CHG TO RBC FORMAT PER IS05-11777	03/03/06	SUDHA



FACE RUNOUT (WITH INDICATOR MOUNTED STATIONARY, RELATIVE TO SHAFT) MUST NOT EXCEED .004 T.I.R.  
 ECCENTRICITY OF THIS SURFACE (WITH INDICATOR MOUNTED STATIONARY, RELATIVE TO SHAFT) MUST NOT EXCEED .004 T.I.R.  
 VIEW OF P.E. END SHIELD  
 .375-16UNC-2B (4 HOLES) .70 MIN. FULL THREAD. THESE HOLES FIT A GAGE HAVING A RABBET 4.5005 DIA. AND 4 PINS .2917 DIA. LOCATED ON THE BASIC HOLE POSITIONS.

ALL DIMENSIONS ARE IN INCHES

8	7	6	5	4	3	2	1	P
KH	KH	KH	KH	KH	K	K	K	K
46	49	46	48	49	49	46	49	49
56CZ	56CZ	56CZ	56CZ	56CZ	56C	56C	56C	56C
11.15	11.70	11.15	12.66	11.91	11.38	10.78	13.22	11.10
8.66	9.21	8.66	10.54	9.79	9.26	8.66	11.10	1.88
2.25	2.25	2.25	2.25	2.25	1.88	1.88	2.12/2.00	1.88
2.49/2.37	2.49/2.37	2.49/2.37	2.49/2.37	2.49/2.37	1.38	1.38		1.38
1.62	1.38	1.38	1.62	1.62	1.38	1.38		1.38
6.55	7.15	6.55	8.43	7.68	7.15	6.55		8.99
6.55	7.15	6.55	8.43	7.68	7.15	6.55		8.99
GE	GE	GE	GE	GE	GE	GE	GE	GE
"C"	"AG"	"N"	"N-W"	"XK"				
NEMA FR.								MIN. SHELL



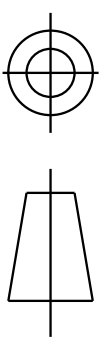
REGAL-BELOIT CORPORATION  
 OUTLINE

GENERAL PURPOSE MOTOR DRIP PROOF - BALL BEARING - R2 END MOUNTED FMF - 40 FRAME REDESIGN

SIGNATURES		DATE
MODEL	M.D. PAPER	07/20/92
DETAIL		
CHECKED		
ENGRG		
MFG		
QUALITY		
ISSUED	M.A.M.	06/14/94
SOLID MODEL:	52A107807	

TITLE	SIZE	SCALE	REF. No.	SHEET
REGAL-BELOIT CORPORATION OUTLINE GENERAL PURPOSE MOTOR DRIP PROOF - BALL BEARING - R2 END MOUNTED FMF - 40 FRAME REDESIGN	A	0.250		1 of 1

52A107807  
 REV 6

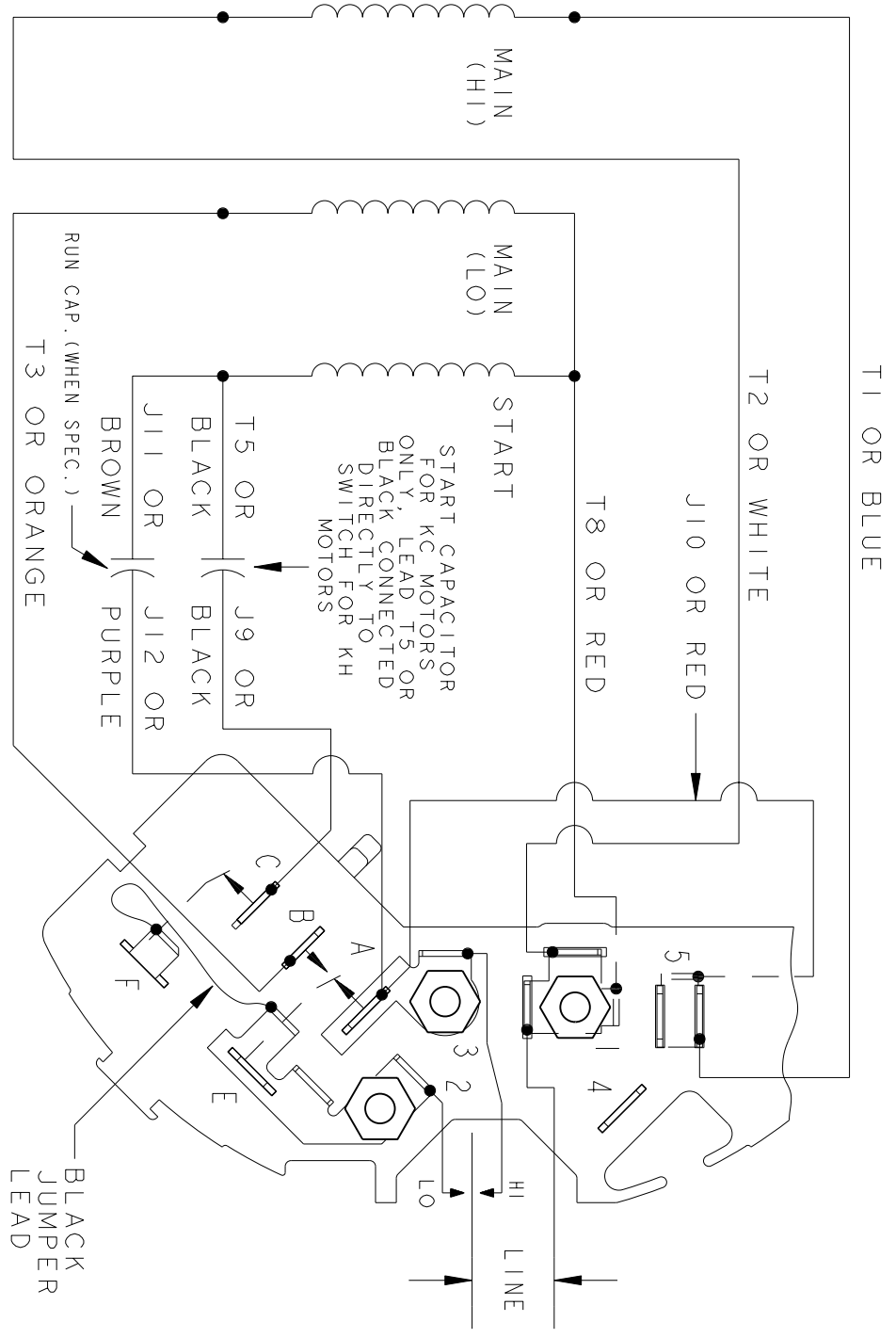


THIRD ANGLE PROJECTION

REVISIONS

REV.	DESCRIPTION	DATE	APPROVED
5	UPDATED TO RBC FORMAT	01/09/06	MAM

EITHER ROTATION  
 SINGLE VOLTAGE  
 TYPE KC, KCR, OR KH  
 2 SPEED  
 POLE CHANGING



NOTE #1 - TO REVERSE ROTATION INTERCHANGE BLUE (T1) AND WHITE (T2) LEADS.

NOTE #2 - WHEN MORE THAN ONE CAPACITOR IS USED CONNECT IN PARALLEL.

REF. DIAG. - 121A865

SWITCH (D) - 115D958BA  
 CONNECTION LABEL - 52X332073

SIGNATURES	DATE
MODEL M.D.P.	12/14/87
DETAIL	
CHECKED	
ENGRG	
MFG	
QUALITY	
ISSUED M.D.P.	12/14/87
APPLIED PRACTICES	
DIMENSIONS ARE IN INCHES	
MATERIAL	SOLID MODEL: 52A106478AA



REGAL-BELOIT CORPORATION

TITLE CONNECTION DIAGRAM

FMF: 5KH36KN114G

52A106478AA

SIZE A	DRAWING	SCALE: 1.000	REF. No.:	SHEET 1 of 1
--------	---------	--------------	-----------	--------------